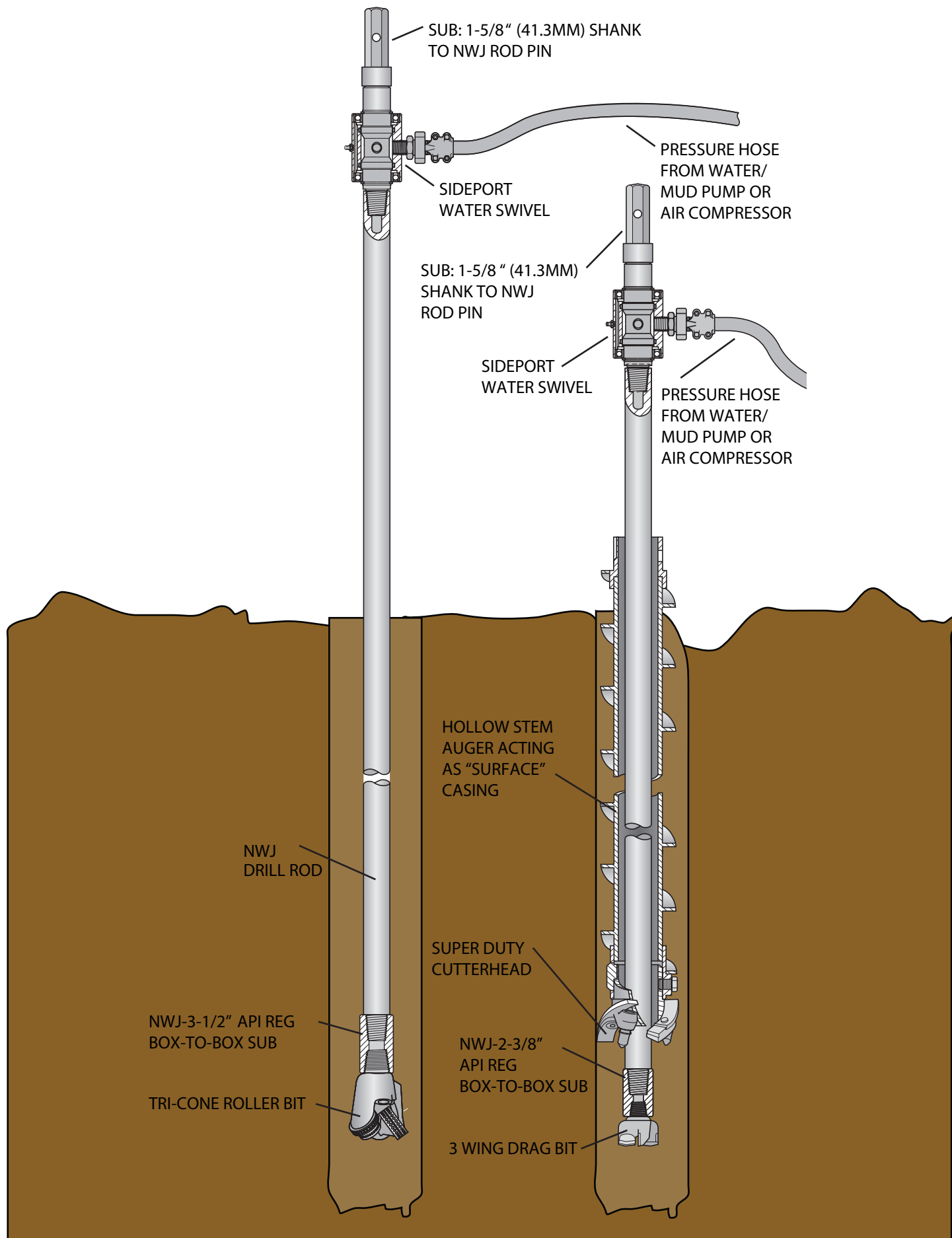
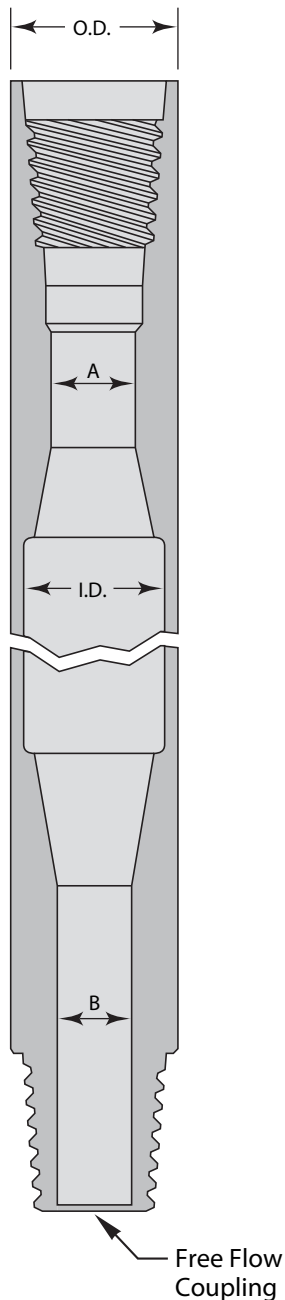


Drill Rod, Subs, Bits & Rotary Tools



"J" Series Drill Rod



Drill Rod	O.D.	Bore "A"	Bore "B"	Thds/In
AWJ	1-3/4" (35mm)	5/8" (16mm)	5/8" (16mm)	5
NWJ	2-5/8" (67mm)	1-3/8" (35mm)	1-1/8" (29mm)	5

Description	Part #	lb./kg.
AWJ ROD: 1-3/4" (45mm) O.D.		
1'0" (305mm)	006280	3 (1.4)
2'0" (610mm)	007086	6 (2.7)
2'6" (762mm)	150416	10 (4.5)
3'0" (914mm)	006863	11 (5.0)
5'0" (1.5mm)	006276	20 (9.1)
10'0" (3.1mm)	006277	32 (14.5)
NWJ ROD: 2-5/8" (67mm) O.D.		
1'0" (305mm)	006281	7 (3.2)
2'0" (610mm)	007087	15 (6.8)
2'6" (762mm)	180386-13	13 (5.9)
3'0" (914mm)	006734	18 (8.2)
5'0" (1.5mm)	006278	30 (13.6)
10'0" (3.1mm)	006279	60 (27.2)

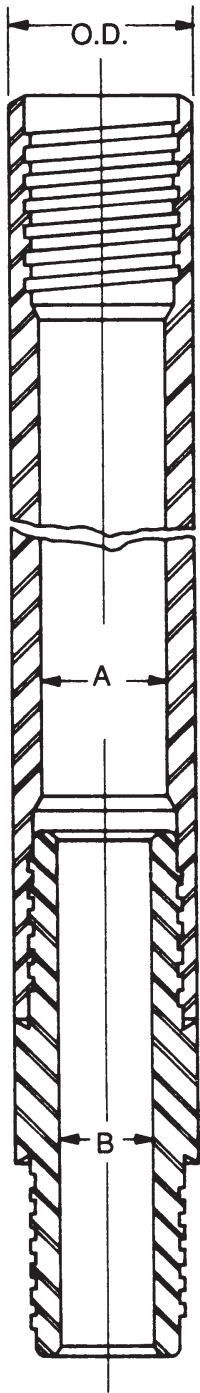
Drill Rod Wiper

Rubber drill rod wiper is used as a circular squeegee to remove soil, mud or water from drill rods. They may also be used to deflect grit when air drilling or located above the automatic chuck to protect the jaws from mud loading. The most common position is at the hole collar allowing all rods to be drawn through the wiper.

Flat Drill Rod Wiper: 9" (229mm) O.D.		
Description	Part No.	lb./kg.
1-5/8" (41mm)	3523-0001	4 (1.8)
1-3/4" (44.5mm)	3523-0002	4 (1.8)
1-7/8" (48mm)	3523-0003	4 (1.8)
2-1/8" (54mm)	3523-0004	3 (1.4)
2-3/8" (60mm)	3523-0005	3 (1.4)
2-5/8" (67mm)	3523-0006	3 (1.4)
2-7/8" (73mm)	3523-0007	3 (1.4)
3-1/2" (89mm)	3523-0008	3 (1.4)
4" (102mm)	3523-0009	3 (1.4)
4-1/2" (114mm)	3523-0010	3 (1.4)

D.C.D.M.A. - Drill Rod

Manufactured to D.C.D.M.A. standards. Drill rod sizes are identified by rod size letter designations.



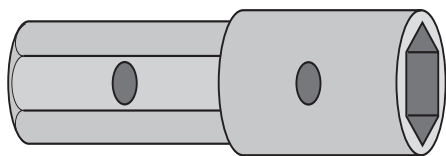
Drill Rod	O.D.	Bore "A"	Bore "B"	Thds/In
AW	1-3/4" (44.5mm)	1-3/8" (35mm)	5/8" (16mm)	3
EW	1-3/8" (35mm)	15/16" (24mm)	7/16" (11mm)	3
NW	2-5/8" (67mm)	2-1/4" (57mm)	1-3/8" (35mm)	3

Description	Part #	lb./kg.
EW ROD: 1-3/8" (35mm) O.D.		
1'0" (305mm)	001596	7 (3.2)
2'0" (610mm)	001600	15 (6.8)
3'0" (914mm)	005193	18 (8.2)
5'0" (1.5mm)	001604	30 (13.6)
10'0" (3.1mm)	001609	60 (27.2)
AW ROD: 1-3/4" (44mm) O.D.		
1'0" (305mm)	001597	3 (1.4)
2'0" (610mm)	001601	6 (2.7)
3'0" (914mm)	005195	11 (5.0)
5'0" (1.5mm)	001605	20 (9.1)
10'0" (3.1mm)	001610	32 (14.5)
NW ROD: 2-5/8" (67mm) O.D.		
1'0" (305mm)	005199	11 (5.0)
2'0" (610mm)	001603	15 (6.8)
3'0" (914mm)	007083	22 (10)
5'0" (1.5mm)	001608	32 (14.5)
10'0" (3.1mm)	001613	55 (24.9)

Threaded
Pin to Pin
Coupling
(recovered when
exposed threads
are worn.)

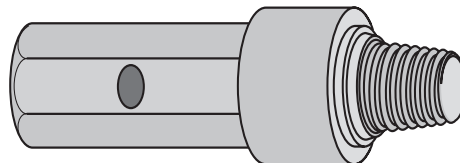
Adapters

Adapter - Hex Shank to Hex Box



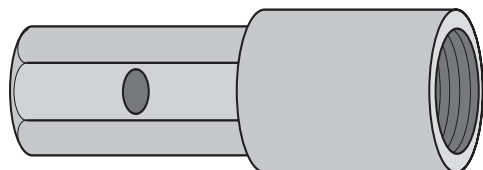
Description	Part #	lb./kg
13/16" (21mm) Hex to 1-1/8" (29mm) Box	001550	2 (.9)
13/16" (21mm) Hex to 1-5/8" (41mm) Box	004655	4 (1.8)
1-1/8" (29mm) Hex to 13/16" (21mm) Box	150131-01	3 (1.4)
1-1/8" (29mm) Hex to 1-5/8" (41mm) Box	001551	6 (2.7)
1-1/8" (29mm) Hex to 2" (51mm) Box	004641	9 (4.1)
1-5/8" (41mm) Hex to 13/16" (21mm) Box	150132-01	4 (1.8)
1-5/8" (41mm) Hex to 1-1/8" (29mm) Box	001552	5 (2.3)
1-5/8" (41mm) Hex to 1-5/8" (41mm) Box	150729	9 (4.1)
1-5/8" (41mm) Hex to 2" (51mm) Box	004643	11 (5)
2" (51mm) Hex to 1-1/8" (29mm) Box	004644	11 (5)
2" (51mm) Hex to 1-5/8" (41mm) Box	004645	10 (4.5)

Adapter - Hex Shank to Rod Pin



Description	Part #	lb./kg
1-1/8" (29mm) Hex to AW Pin	004874	4 (1.8)
1-1/8" (29mm) Hex to AWJ Pin	180078-01	4 (1.8)
1-1/8" (29mm) Hex to EW Pin	004872	3 (1.4)
1-1/8" (29mm) Hex to NW Pin	004878	4 (1.8)
1-1/8" (29mm) Hex to NWJ Pin	180078-02	4 (1.8)
1-5/8" (41mm) Hex to A Pin	180080-03	8 (3.6)
1-5/8" (41mm) Hex to AW Pin	180080-02	8 (3.6)
1-5/8" (41mm) Hex to AWJ Pin	180080-01	8 (3.6)
1-5/8" (41mm) Hex to BW Pin	180080-05	9 (4.1)
1-5/8" (41mm) Hex to EW Pin	004879	8 (3.6)
1-5/8" (41mm) Hex to NW Pin	004468	10 (4.5)
1-5/8" (41mm) Hex to NWJ Pin	180080-05	10 (4.5)
2" (51mm) Hex to AW Pin	004906	10 (4.5)
2" (51mm) Hex to AWJ Pin	180081-01	10 (4.5)
2" (51mm) Hex to NW Pin	004910	12 (5.4)
2" (51mm) Hex to NWJ Pin	180081-02	12 (5.4)

Adapter - Hex Shank to Rod Box

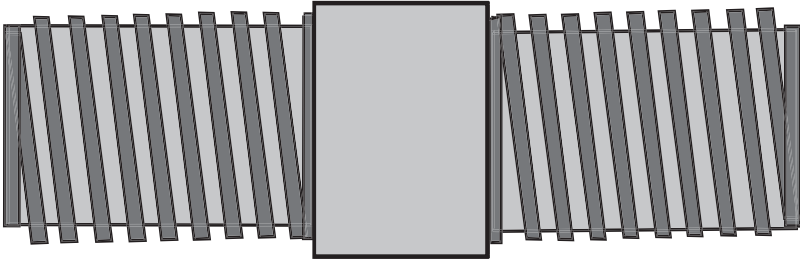


Description	Part #	lb./kg
13/16" (21mm) Hex to A Box	001562	2 (.9)
13/16" (21mm) Hex to AW Box	001563	2 (.9)
13/16" (21mm) Hex to AWJ Box	180011-08	2 (.9)
13/16" (21mm) Hex to EW Box	001557	2 (.9)
1-1/8" (29mm) Hex to AW Box	001565	3 (1.4)
1-1/8" (29mm) Hex to AWJ Box	180011-09	3 (1.4)
1-1/8" (29mm) Hex to NW Box	001577	3 (1.4)
1-1/8" (29mm) Hex to NWJ Box	180012-11	3 (1.4)
1-5/8" (41mm) Hex to AW Box	001567	4 (1.8)
1-5/8" (41mm) Hex to AWJ Box	180011-10	4 (1.8)
1-5/8" (41mm) Hex to NW Box	180007-01	5 (2.3)
1-5/8" (41mm) Hex to NWJ Box	006925	5 (2.3)
2" (51mm) Hex to AW Box	004649	7 (3.2)
2" (51mm) Hex to AWJ Box	180011-11	7 (3.2)
2" (51mm) Hex to NW Box	004653	5 (2.3)
2" (51mm) Hex to NWJ Box	180012-12	6 (2.7)

Consult Factory For
Adapters Not Shown

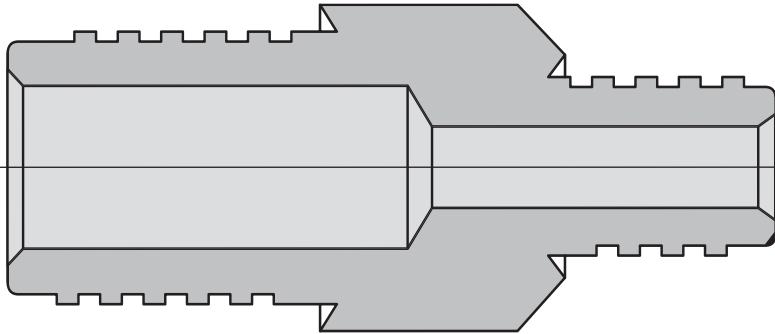
Subs

D.C.D.M.A. Coupling



Description	Part #	lb./kg
A Rod	003-004-004	2 (.9)
AW Rod	003-005-005	2 (.9)
B Rod	003-006-006	3 (1.4)
BW Rod	003-007-007	4 (1.8)
E Rod	003-002-002	1 (.5)
EW Rod	003-003-003	1 (.5)
N Rod	003-009-009	4 (1.8)
NW Rod	003-010-010	6 (2.7)

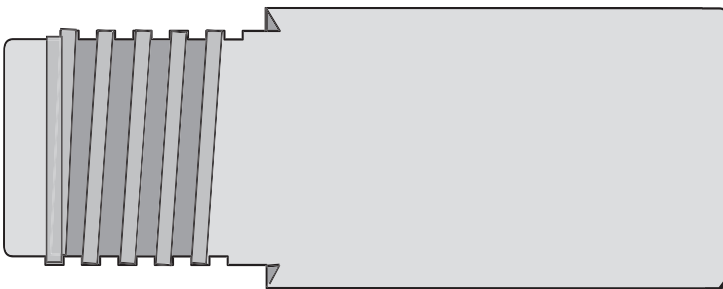
Sub: Rod Pin to Rod Pin



Description	Part #	lb./kg
A Pin to NW Pin	003-004-010	6 (2.7)
AW Pin to BW Pin	003-005-007	4 (1.8)
AW Pin to E Pin	003-005-002	2 (.9)
AW Pin to N Pin	003-005-009	5 (2.3)
AW Pin to NW Pin	003-005-010	6 (2.7)
AWJ Pin to AW Pin	003-005-013	2 (.9)
AWJ Pin to NW Pin	003-013-010	6 (2.7)
AWJ Pin to AWJ Pin	003-013-013	2 (.9)
BW Pin to NW Pin	003-007-010	6 (2.7)
N Pin to NW Pin	003-009-010	6 (2.7)
NWJ Pin to AW Pin	003-005-014	3 (1.4)
NWJ Pin to N Pin	003-014-009	6 (2.7)
NWJ Pin to NW Pin	003-014-010	6 (2.7)
NWJ Pin to NWJ Pin	003-014-014	6 (2.7)
NWJ Pin to NWJ Pin	003-014-013	6 (2.7)

Other Sizes Available

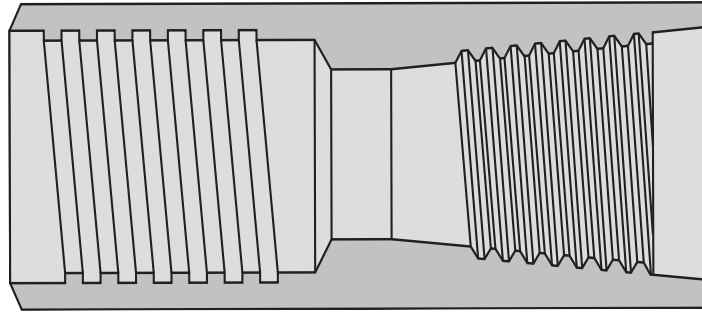
Sub: Blank



Description	Part #	lb./kg
AW Pin to Blank	005-005-000	2 (.9)
NW Pin to Blank	005-010-000	4 (1.8)
AW Box to Blank	004-005-000	2 (.9)
NW Box to Blank	004-010-000	4 (1.8)
AWJ Pin to Blank	005-013-000	2 (.9)
NWJ Pin to Blank	005-014-010	4 (1.8)
AWJ Box to Blank	004-013-000	2 (.9)
NWJ Box to Blank	004-014-000	4 (1.8)

Subs

Sub: Rod Box to Rod Box



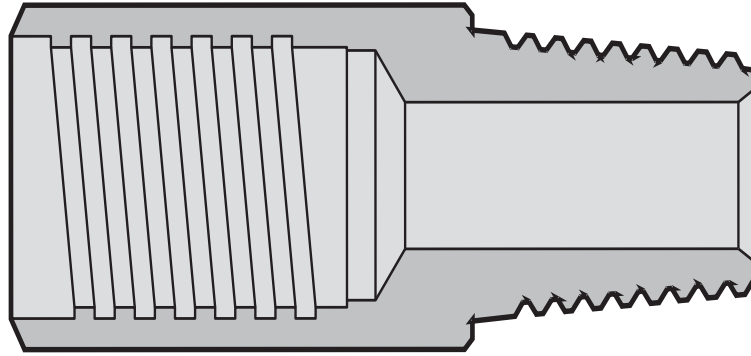
Description	Part #	lb./kg
A Box to A Box	002-004-004	1 (.5)
A Box to AW Box	002-004-005	2 (.9)
A Box to N Box	002-004-009	5 (2.3)
A Box to NW Box	002-004-010	5 (2.3)
AW Box to AW Box	002-005-005	2 (.9)
AW Box to BW Box	002-005-007	3 (1.4)
AW Box to E Box	002-005-002	2 (.9)
AW Box to NW Box	002-005-010	5 (2.3)
AWJ Box to 2-3/8" (60mm) API Reg Box	002-013-015	13 (5.9)
AWJ Box to 2-7/8" (73mm) API Reg Box	002-013-018	15 (6.8)
AWJ Box to 3-1/2" (89mm) API Reg Box	002-013-021	15 (6.8)
A Box to AWJ Box	002-004-013	2 (.9)
AW Box to AWJ Box	002-005-013	2 (.9)
AWJ Box to AWJ Box	002-013-013	2 (.9)
AWJ Box to B Box	002-013-006	3 (1.4)
N Box to AWJ Box	002-009-013	5 (2.3)
AWJ Box to NW Box	002-013-010	5 (2.3)
AWJ Box to NWJ Box	002-013-014	5 (2.3)
B Box to N Box	002-006-009	4 (1.8)
BW Box to BW Box	002-007-007	3 (1.4)
BW Box to NW Box	002-007-010	5 (2.3)
E Box to E Box	002-002-002	2 (.9)
E Box to EW Box	002-002-003	2 (.9)
EW Box to EW Box	002-003-003	3 (1.4)
EW Box to NW Box	002-003-010	5 (2.3)

Description	Part #	lb./kg
N Box to 2-3/8" (60mm) API Reg Box	002-009-015	11 (5)
N Box to 3-1/2" (89mm) API Reg Box	002-009-021	19 (8.6)
N Box to 4-1/2" (114mm) API Reg Box	002-009-024	31 (14.1)
N Box to N Box	002-009-009	4 (1.8)
N Box to NW Box	002-009-010	5 (2.3)
NW Box to 2-3/8" (60mm) API Reg Box	002-010-0015	11 (5)
NW Box to 2-7/8" (73mm) API Reg Box	002-010-018	17 (7.7)
NW Box to 3-1/2" (89mm) API Reg Box	002-010-021	18 (8.2)
NW Box to NW Box	002-013-101	4 (1.8)
NWJ Box to 2-3/8" (60mm) API Reg Box	002-014-015	11 (5)
NWJ Box to 2-7/8" (73mm) API Reg Box	002-014-018	17 (7.7)
NWJ Box to 3-1/2" (89mm) API Reg Box	002-014-021	18 (8.2)
NWJ Box to A Box	002-014-004	5 (2.3)
NWJ Box to AW Box	002-005-014	5 (2.3)
NWJ Box to BW Box	002-014-007	5 (2.3)
NWJ Box to N Box	002-014-009	4 (1.8)
NWJ Box to NW Box	002-010-014	4 (1.8)
NWJ Box to NWJ Box	002-014-014	4 (1.8)

Other sizes available upon request.

Subs

Sub: Rod Box to Rod Pin



Description	Part #	lb./kg
2-3/8" (60mm) API Reg Box To AWJ Pin	001-015-013	8 (3.6)
2-3/8" (60mm) API Reg Box To NWJ Pin	001-015-014	9 (4.1)
2-7/8" (73mm) API Reg Box To NWJ Pin	001-018-014	14 (6.4)
A Box To AW Pin	001-004-005	2 (.9)
A Box To AWJ Pin	001-004-013	3 (1.4)
A Box To E Pin	001-004-002	3 (1.4)
A Box To EW Pin	001-004-003	2 (.9)
A Box To N Pin	001-004-009	4 (1.8)
A Box to NW Pin	001-004-010	6 (2.7)
AW Box to A Pin	001-005-004	2 (.9)
AW Box to AWJ Pin	001-005-013	3 (1.4)
AW Box to B Pin	001-005-006	2 (.9)
AW Box to Boyles NXWL	001-005-	7 (3.2)
AW Box to BW Pin	001-005-007	3 (1.4)
AW Box to EW Pin	001-005-003	2 (.9)
AW Box to N Pin	001-005-009	4 (1.8)
AW Box to NW Pin	001-005-010	5 (2.3)
AW Box to NWJ Pin	001-005-014	5 (2.3)
AWJ Box to A Pin	001-013-004	2 (.9)
AWJ Box to AW Pin	001-013-005	2 (.9)
AWJ Box to AWJ Pin	001-013-013	3 (1.4)
AWJ Box to Boyles AXML	001-013-	2 (.9)
AWJ Box to BW Pin	001-013-007	3 (1.4)
AWJ Box to N Pin	001-013-009	4 (1.8)
AWJ Box to NW Pin	001-013-010	5 (2.3)
AWJ Box to NWJ Pin	001-013-014	5 (2.3)
AWJ Box to Boyles NXWL	001-013-	7 (3.2)

Description	Part #	lb./kg
B Box to N Pin	001-006-009	4 (1.8)
BW Box to AW Pin	001-007-005	2 (.9)
BW Box to B Pin	001-007-006	3 (1.4)
BW Box to N Pin	001-007-009	4 (1.8)
BW Box to NW Pin	001-007-010	5 (2.3)
E Box to EW Pin	001-002-003	1 (.5)
E Box to NW Pin	001-002-010	6 (2.7)
EW Box to A Pin	001-003-004	2 (.9)
EW Box to AW Pin	001-003-005	2 (.9)
EW Box to AWJ Pin	001-003-013	2 (.9)
EW Box to E Pin	001-003-002	1 (.5)
EW Box to NW Pin	001-003-010	6 (2.7)
N Box to 2-3/8" API Reg Pin	001-009-015	1 (.5)

**Other Sizes Available
Upon Request**

